

LPG Detector-Transmitter

E2638-LPG

SONIC-ADD-MC2



Made in EU



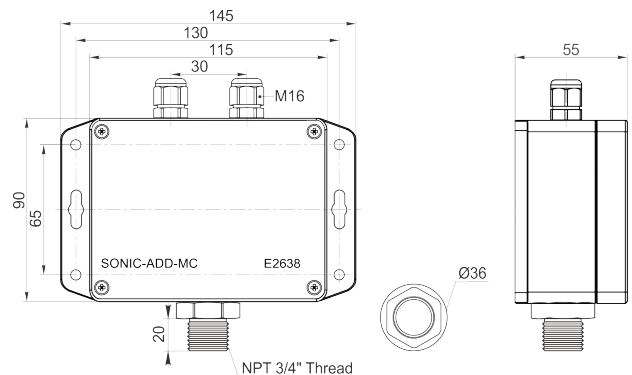
Features

- Easy to install robust enclosure
- NPT 3/4" connector for pipe-in-pipe detection
- Two analog outputs settable to 4-20 mA or 0-10 V
- RS485 Modbus RTU digital interface
- Relay option
- LCD indicator option

Specifications

Detected gases	butane, hydrogen, methane, propane	
Default calibration	propane C ₃ H ₈	
Sensor type	catalytic bead (pellistor) option: metal oxide semiconductor (MOS)	
Sampling method	diffusion	
	pellistor sensor	MOS sensor
Typical detection range	0...100% LEL	0...100% LEL
Resolution	1% LEL	0,1% LEL
Response time T90	8 s	ca. 60 s
Sensor lifetime	> 2 years	> 5 years
Maintenance interval	3...6 months	12 months
Operating conditions	-20...+60 °C -30...+70 °C < 95% RH non-condensing; 0,9...1,1 atm; explosion safe areas non-aggressive atmosphere normal ambient oxygen level avoid strong mechanical shock, vibrations or EMI avoid exposure to corrosive gases	
Signal update	every 1 second	
Self-diagnostics	full functionality check at start-up	
Warm-up time	≤ 1 min	
Power supply	11...30 VDC, 24 VAC or 90...265 VAC	
Power consumption	< 2 VA	
Digital interface	RS485, Modbus RTU protocol	
Analog outputs	2 × 4-20 mA / 0-10 V, user settable	
Output scale width	recommended: 20-100% of the range; > 10 × resolution in any case	
Enclosure	grey ABS plastic, wall mount, protection class IP65	
Dimensions	H90 × W145 × D50 mm (housing only)	
Operating environment	industrial indoor and outdoor locations	
Process connection	male NPT 3/4" connector	

Dimensions



Additional options

Self-test button triggers both relays simultaneously; push-button switch

Relay outputs

Output relays 2 × SPST relays (closing contact), 250 VAC / 30 VDC, 5 A max

Default alarm set-points
 RE1 (LOW): 20% LEL; / 16% LEL
 RE2 (HIGH): 50% LEL / 40% LEL

Alarm signalling

Visual red and green LEDs

Acoustic buzzer 85 dB

LCD indicator

Operating temperature 0...+50 °C

Display dimensions 72 × 36 mm

Number of digits 3.5 7-segment

Character height 14 mm

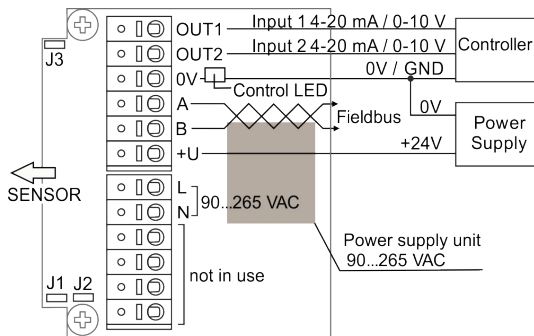
Other features Backlight

Note: only one analog output is available for a version with LCD

Version with LCD indicator



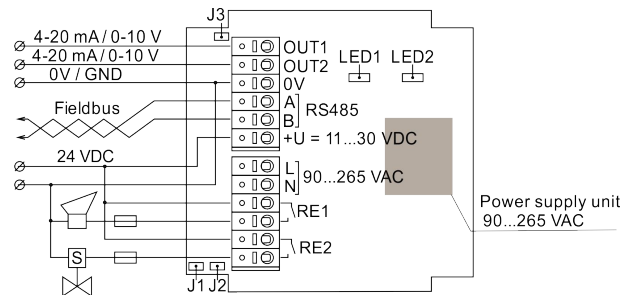
Connection diagram for versions without relays



J1: OUT1 type (open: 4-20 mA; closed: 0-10 V)
 J2: OUT2 type (open: 4-20 mA; closed: 0-10 V)
 J3: return to factory settings

Note: for 24V versions only one terminal block is mounted

Connection diagram for versions with relays



J1: OUT1 type (open: 4-20 mA; closed: 0-10 V)
 J2: OUT2 type (open: 4-20 mA; closed: 0-10 V)
 J3: return to factory settings
 LED1: device status control
 LED2: power indication*
 *only for enclosures with LED indicators

